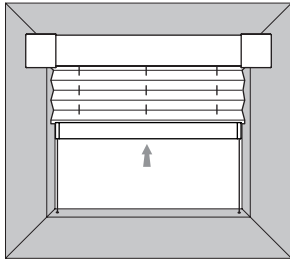
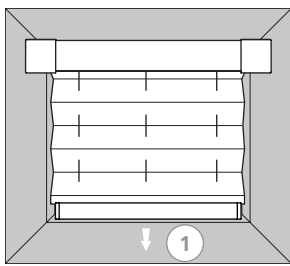


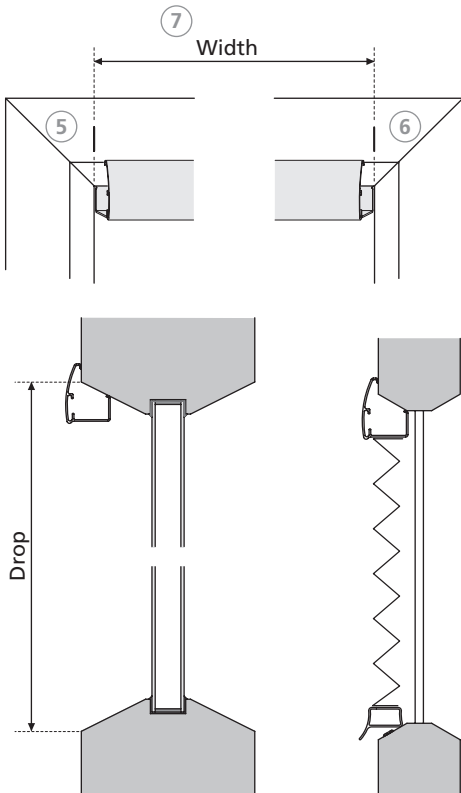
BLIND OPERATION

1 Using thumb and first finger, hold the extended bottom rail lip. Move up or down to open and close the blind. It will remain in position due to cord tension.

30 or 60cm extension rod(s) available for higher reach installations at additional cost.



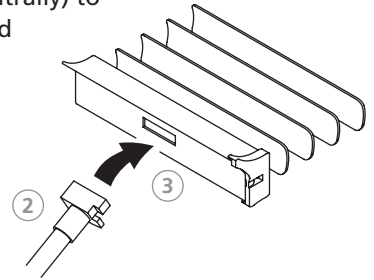
MEASURING THE BLIND



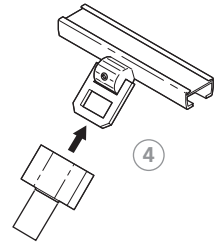
HIGH INSTALLATION

2 Blinds fitted beyond normal reach can be raised or lowered using the operating rod.

3 The underside of the bottom rail is slotted (centrally) to accept the rod connector.



4 Multizone or Bottom Up blinds that are out-of-reach are operated using a Twistlock rod and handle.



Standard Installation

Bead depth between 15-35mm

Measure clear glass size (i.e. rubber gasket to rubber gasket – outer side)

5 Use small section of INTU® headrail; place top lip on frame bead, slide to left of window – mark position on frame.

6 Repeat for right hand side.

7 Measure size between the 2 marks in mm and record as width

Minimum bead depth 11mm – use 2 x 4mm spacers beneath headrail and caps when fitting.

Maximum Sizes

Width: 1800mm

Drop: 2500mm

Area: 2.5 square metres

Take care not to damage the glass